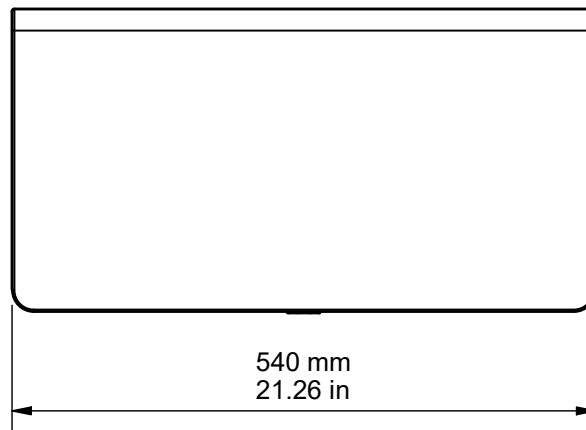
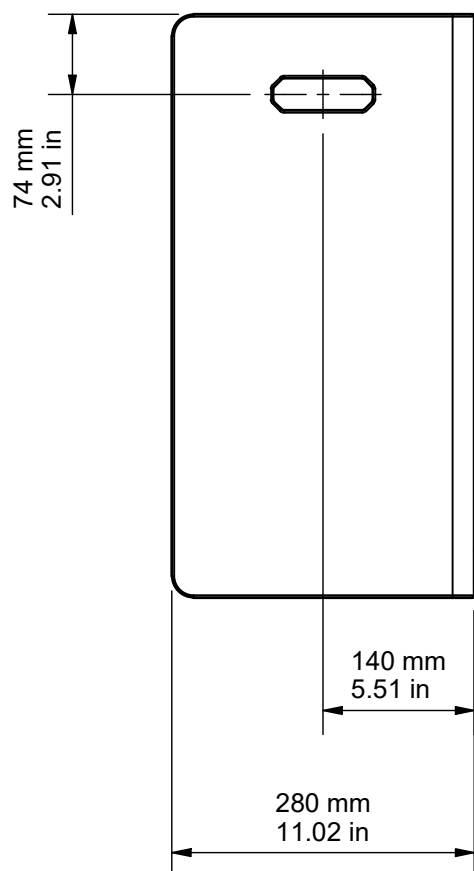


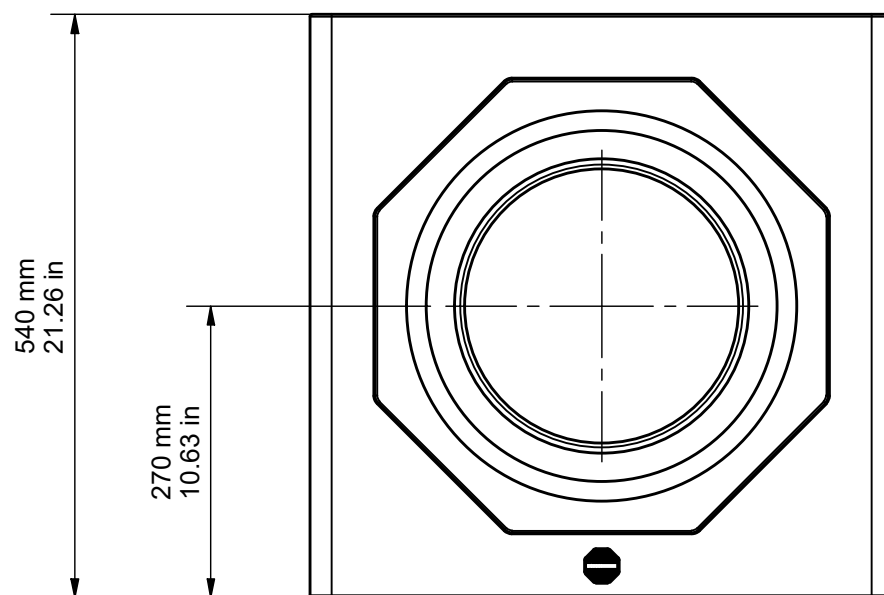
TOP



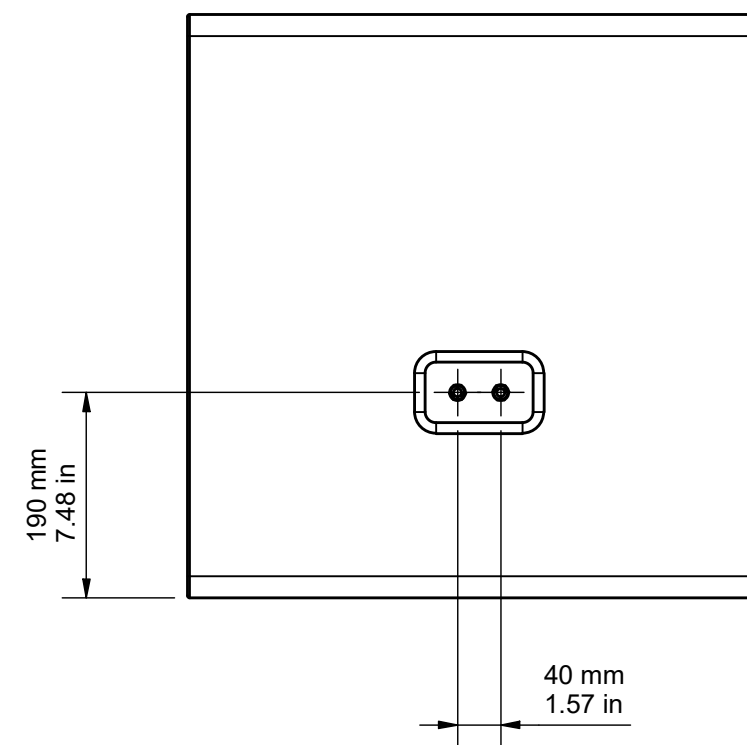
SIDE



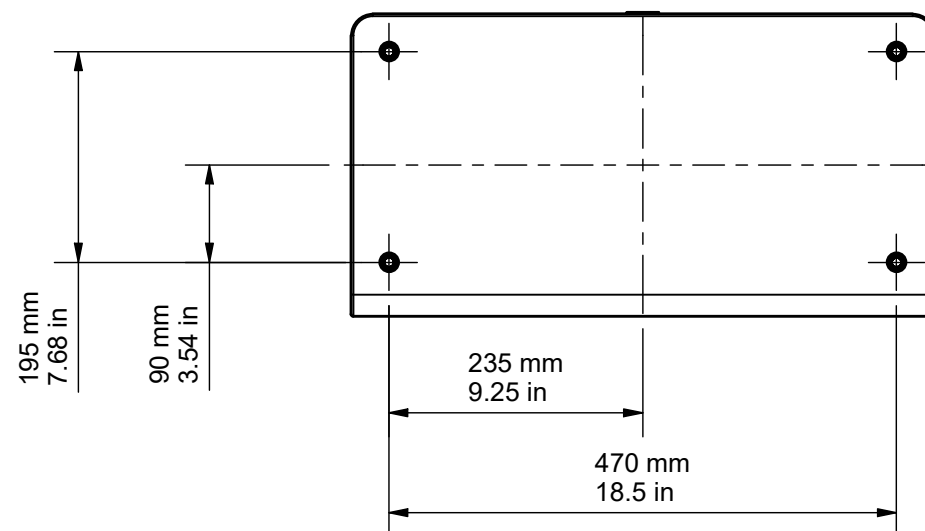
FRONT



BACK



BASE



DRAWING FOR REFERENCE ONLY

CINERGY SUB15



RANGE: CINERGY 1G

© COPYRIGHT MONITOR AUDIO

09/11/2021

